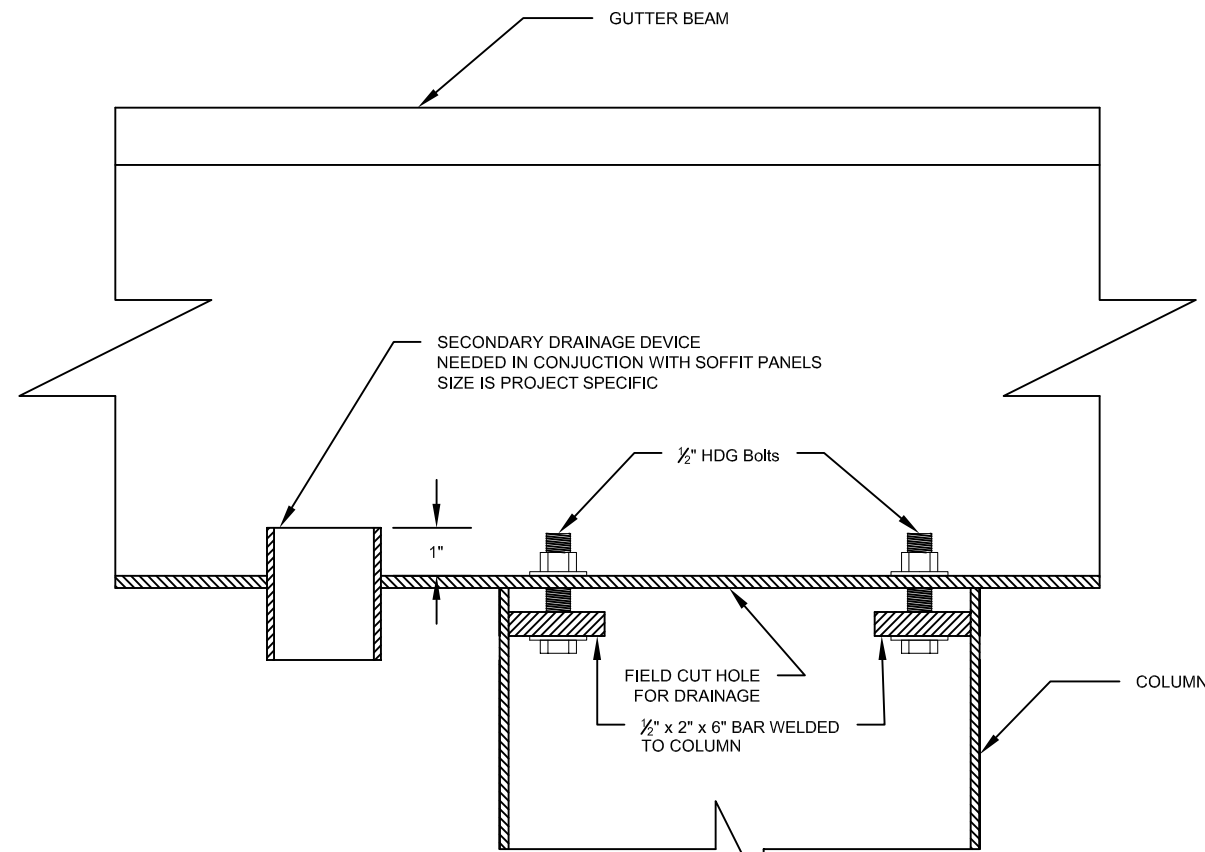
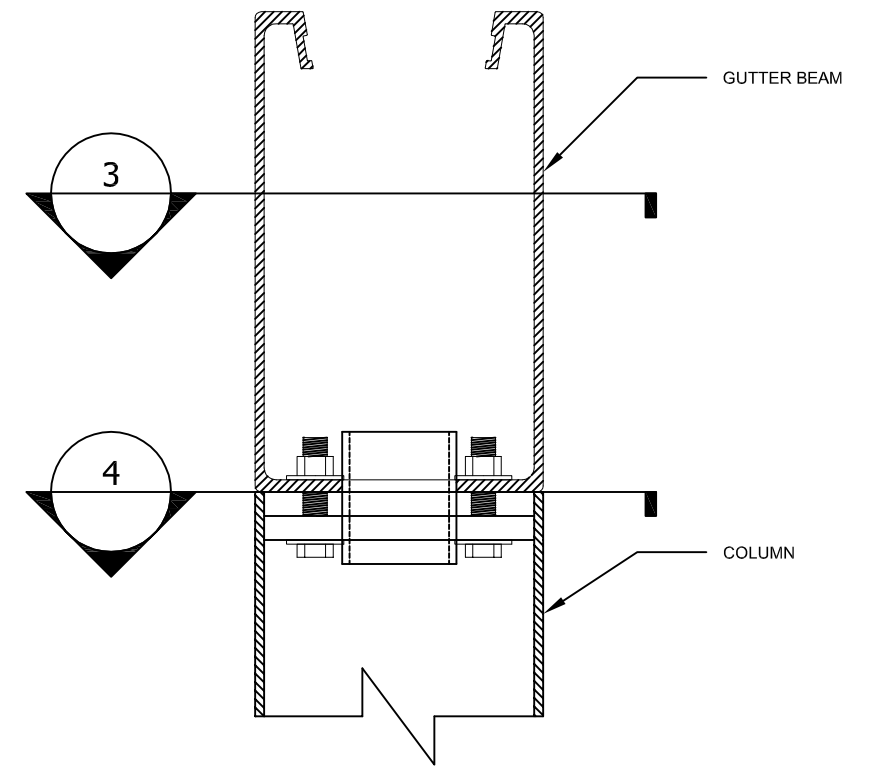


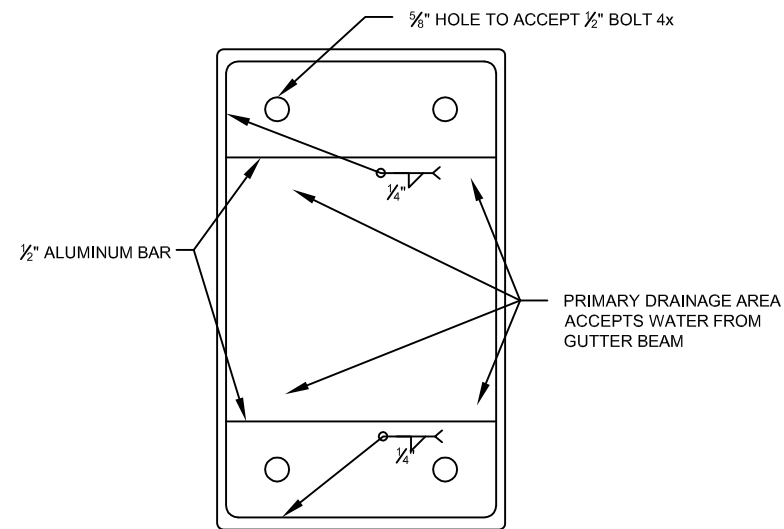
3 ELEVATION  
Scale: 3"=1'



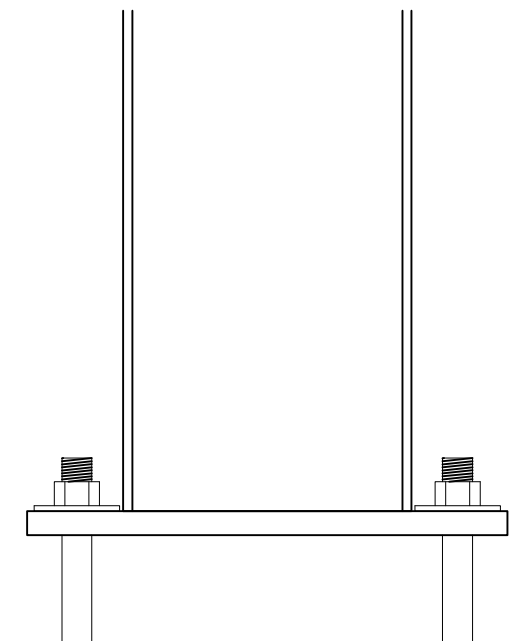
1 SECTION  
Scale: 3"=1'



2 SECTION  
Scale: 3"=1'



4 COLUMN SECTION PLAN VIEW  
Scale: 3"=1'



5 COLUMN FOOTING  
Scale: 3"=1'

DRAWN BY: Arnold Parker		DATE: 02/09/2010	<p>Quality Aluminum Fabricators Since 1982 13302 Redfish Lane Stafford, TX 77477 (281) 499-9026</p>
SCALE: 3"-1'	JOB No.: 0000	REV:	
TITLE: Concealed Connection		SHEET: 1	